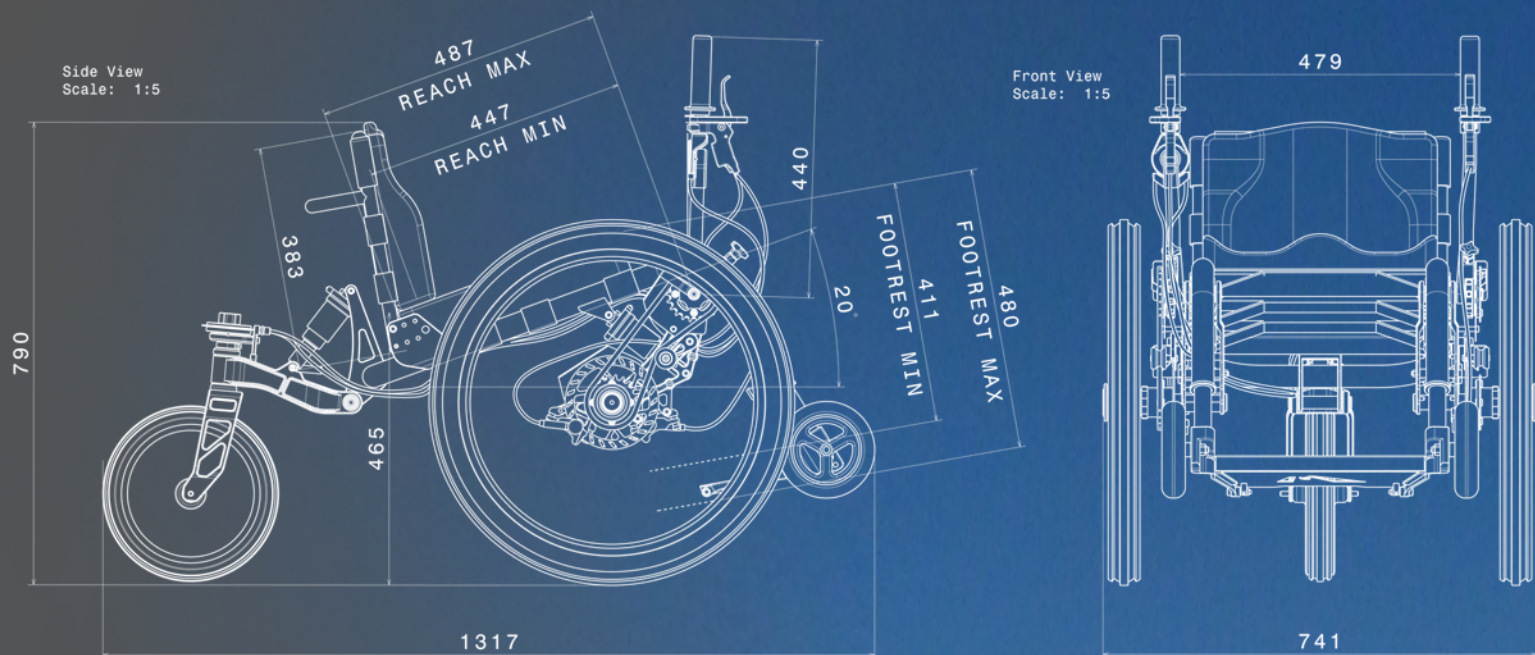
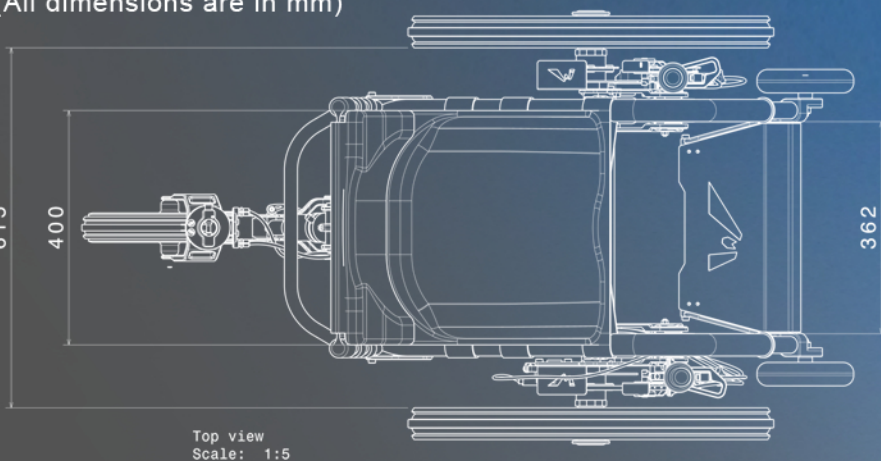




Technical Specification - Data Sheet



(All dimensions are in mm)



Total Weight of Trike	20 kg
Designed Max Weight of Rider	100 kg
Mountain Bike Wheel Size	24 inch
Seat Cushion Width	400 mm
Seat Height from Ground	465 mm
Seat Back Height	383 mm
Seat Angle	20 degrees
Seat Cushion	Removable Foam Cushion
Max and Min Footrest Height	411 - 480 mm
Max and Min Seat Length	447 - 487 mm
Seat Lap Belt	Optional Extra (No Charge)
Footstraps	Optional Extra (No Charge)
Drive System	Manual Lever Drive for Great All-Terrain Performance and Clean Hands
All Weather Hydraulic Brakes	Included as Standard

